



# SHELTER STRUCTURES

## PRODUCT SPECIFICATIONS

### SHELTER A-FRAME M-SERIES

#### TENT SPECIFICATIONS

Model	M10
Span Width	10m
Eave Height	3m, 3.4m, 4m
Ridge Height	5.70m
Bay Distance	5m
Roof Pitch	18°
Longest Component	5.60m
Maximum Length	Unlimited in 5 meter increments
Max. WindLoad	115mph

#### FRAMEWORK

Main Profiles	200*120*4mm (4 channel)
Material	Hard Pressed Extruded Structural Aluminum 6061/T6

#### COVER

Material	PVC Coated Polyester Fabric
Features	650 or 850 g/sqm, Premium Grade, High Gloss White or Translucent, Waterproof, UV Resistant
Flame Retardant	DIN 4102 B1, M2; USA NFPA701

#### CONNECTING COMPONENTS

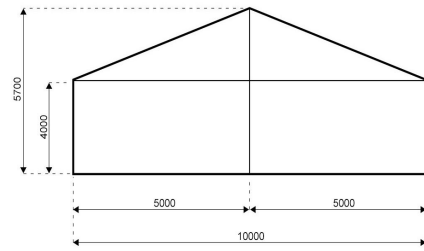
Hot Dipped, Structural Grade Corrosive Resistant Galvanized Steel

### M-SERIES DRAWING

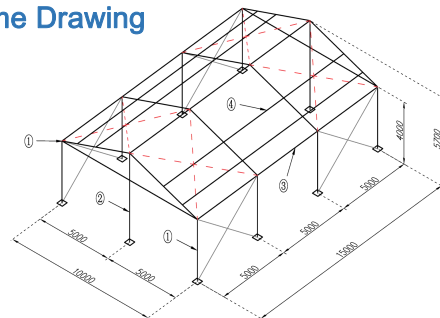
#### Rendering



#### Gable Drawing



#### Frame Drawing



#### Profile Specifications

Upright Support Roof Beam ①	Gable Purlin ②	Eave Purlin ③	Roof Purlin ④



**SHELTER STRUCTURES**  
TENT MANUFACTURER

**Shelter Structures America Inc.**

405 Via Chico Suite 1 Palos Verdes Estates, CA 90274

E: robert@shelterstructuresamerica.com C: (954) 559 8759

W: www.shelterstructuresamerica.com O: (424) 254 9172



# SHELTER STRUCTURES PRODUCT GALLERY



## APPLICATION

- Wedding Venue
- Anniversary Celebration
- Annual Gala
- Beer Festival
- Music Carnival
- Product Launch
- Kitchen
- Ticket Office



## FEATURES

- Customized Entrance Canopy
- Unobstructed Interior Space
- Roof Extension
- Rapid Installation
- Optional Frame Color



**SHELTER STRUCTURES  
TENT MANUFACTURER**

**Shelter Structures America Inc.**

405 Via Chico Suite 1 Palos Verdes Estates, CA 90274

E: [robert@shelterstructuresamerica.com](mailto:robert@shelterstructuresamerica.com)

C: (954) 559 8759

W: [www.shelterstructuresamerica.com](http://www.shelterstructuresamerica.com)

O: (424) 254 9172