



SHELTER STRUCTURES

PRODUCT SPECIFICATIONS

SHELTER A-FRAME M-SERIES

TENT SPECIFICATIONS

Model	M20
Span Width	20m
Eave Height	3m, 3.4m, 4m
Ridge Height	7.25m
Bay Distance	5m
Roof Pitch	18°
Longest Component	10.70m
Maximum Length	Unlimited in 5 meter increments
Max. WindLoad	115mph

FRAMEWORK

Main Profiles	200*120*4mm (4 channel)
Material	Hard Pressed Extruded Structural Aluminum 6061/T6

COVER

Material	PVC Coated Polyester Fabric
Features	650 or 850 g/sqm, Premium Grade, High Gloss White or Translucent, Waterproof, UV Resistant
Flame Retardant	DIN 4102 B1, M2; USA NFPA701

CONNECTING COMPONENTS

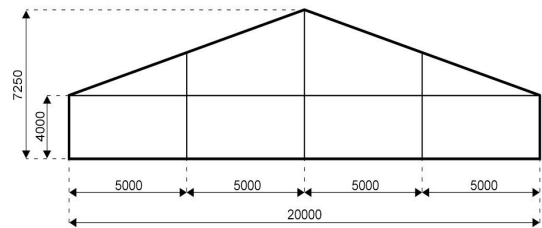
Hot Dipped, Structural Grade Corrosive Resistant Galvanized Steel

M-SERIES DRAWING

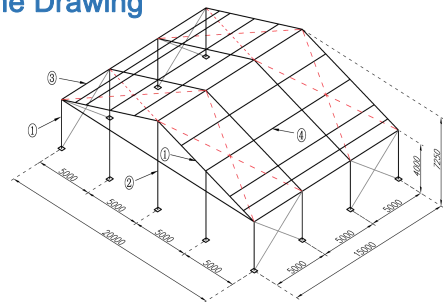
Rendering



Gable Drawing



Frame Drawing



Profile Specifications

Upright Support Roof Beam ①	Gable Purlin ②	Eave Purlin ③	Roof Purlin ④



SHELTER STRUCTURES
TENT MANUFACTURER

Shelter Structures America Inc.

405 Via Chico Suite 1 Palos Verdes Estates, CA 90274

E: robert@shelterstructuresamerica.com C: (954) 559 8759

W: www.shelterstructuresamerica.com O: (424) 254 9172



SHELTER STRUCTURES

PRODUCT GALLERY



APPLICATION

- Wedding Venue
- Annual Gala
- Outdoor Banquet
- Business Conference
- Hospitality
- Music Festival
- Temporary Warehouse
- Sports Arena



FEATURES

- Customized Entrance Awning
- Flexible Interior Layout
- Roof Extension
- Optional Frame Color
- Fire Retardant Material



Shelter Structures America Inc.



SHELTER STRUCTURES
TENT MANUFACTURER

405 Via Chico Suite 1 Palos Verdes Estates, CA 90274

E: robert@shelterstructuresamerica.com C: (954) 559 8759

W: www.shelterstructuresamerica.com O: (424) 254 9172